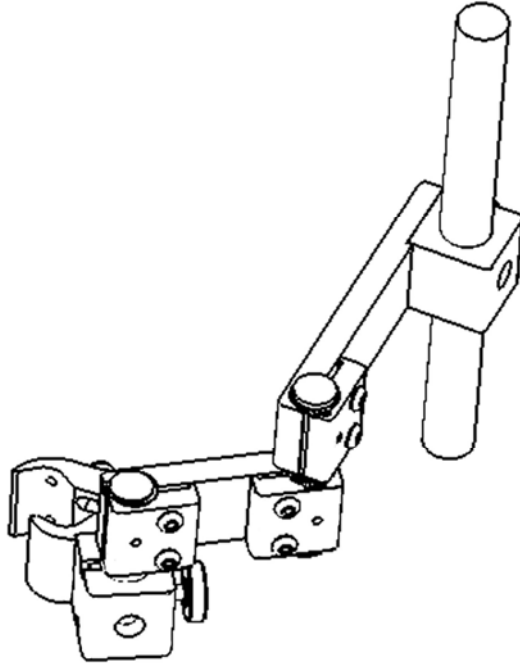


# **JAEKO**

## **MR-10 : Mount Relocator**



*For Mounting to Wheelchairs with  
Tubular Back Posts*

**JAEKO**  
*Orthopedic*

**214 Drexel  
Hot Springs, AR 71901**

**Ph: 501-623-5944**

**Fax: 501-623-0159**

Email

[info@jaeco-orthopedic.com](mailto:info@jaeco-orthopedic.com)

Internet

[www.jaeco-orthopedic.com](http://www.jaeco-orthopedic.com)

# Features

- The unique design of the **JAECO** Mount Relocator has several advantages over our previous Bracket Relocator.
- The new Mount Relocator clamps onto  $\frac{3}{4}$  inch to 1 inch tubing.
- Clamps over back posts (wheelchair uprights) enclosed in fabric without having to remove the fabric from the mounting area.
- The 10 inch long mounting shaft and articulated arms of the Mount Relocator allow for optimum Mobile Arm Support mount position.
- The Clamp Mount Base requires only 1.5 inches to mount to the wheelchair back post (wheelchair upright).
- The solid anodized black aluminum construction minimizes deflection.
- This Mount Relocator even with the Mobile Arm Support attached can be removed and replaced quickly by the turn of a knob, without losing it's preset adjustments.

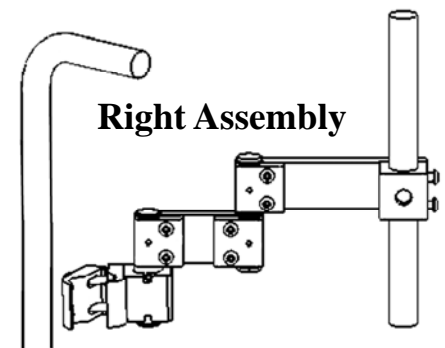
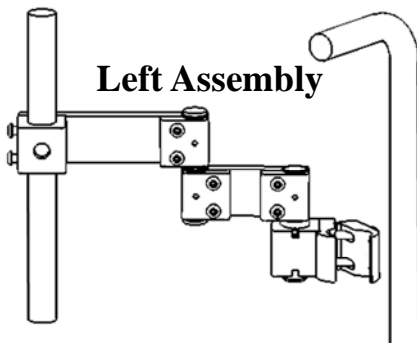
---

## Components

Items included in package:

- 1: **JAECO** Mount Relocator
- 2: Instructions
- 3: 5/32 (large) & 3/32 (small) Hex Wrench

Viewed from back side of wheelchair



---

## Preparation

1: Locate and mark on the back post (wheelchair upright) the patient's mid humeral area.

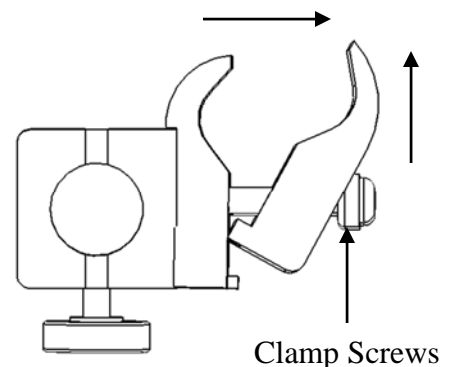
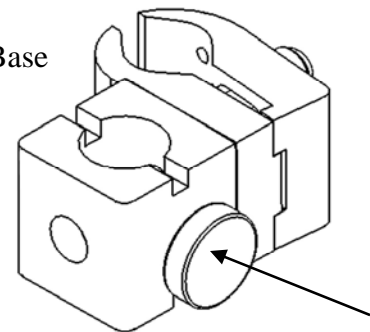
*Note: The mount base needs to be attached a minimum of approximately 5 inches above or 8 inches below this mid humeral location.*

*Alternate arm setup will decrease the amount of clearance needed when attached above marked location. See Alternate Setup Page 3.*

2: If the relocator Mount Base is attached to the Mount Relocator, loosen Locking Knob and remove the Mount Base.

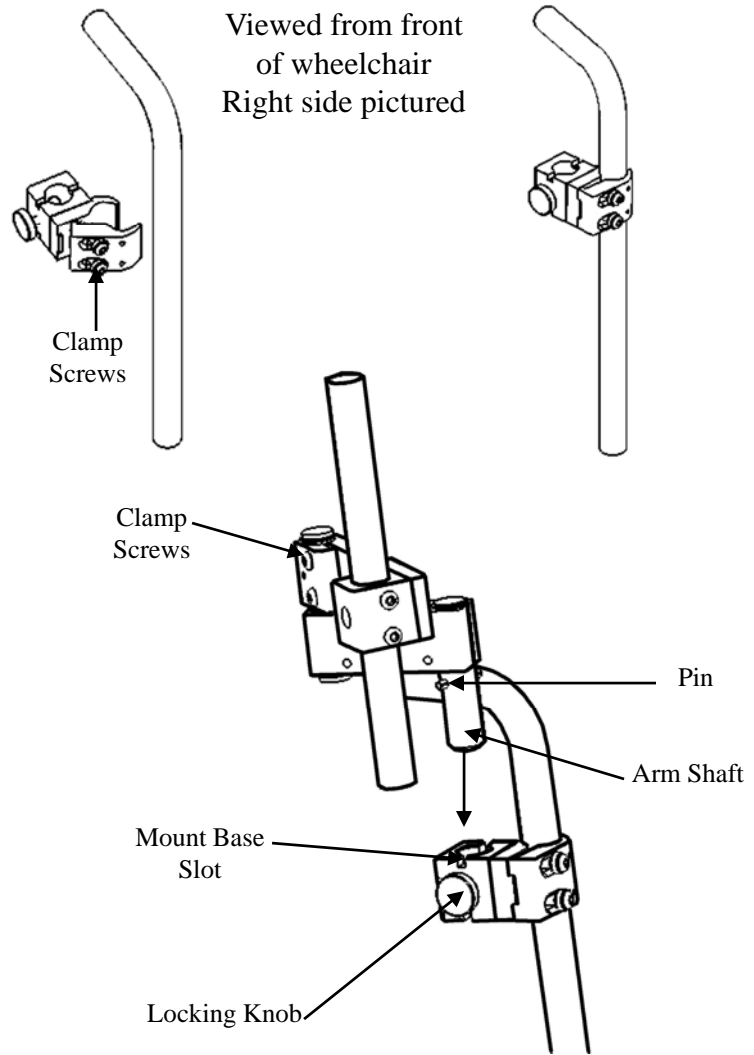
3: Loosen, **Do not remove**, Clamp Screws using Large Hex Wrench. Push floating clamp forward and outward.

Mount Base



# Mounting

1: Attach relocater Mount Base to location on back post (W/C upright) as specified in Preparation Instructions #1 and tighten Clamp Screws just enough so it is snug but will still rotate on the back post. This rotation may be necessary for relocater arm alignment.



2: Loosen, **Do Not Remove**, all six Clamp Screws on relocater arm. Insert the Mount Relocater into the Mount Base and insure the Pin in the Arm Shaft inserts into the Slot on the top of the Mount Base then tighten Locking Knob.

# Final Setup

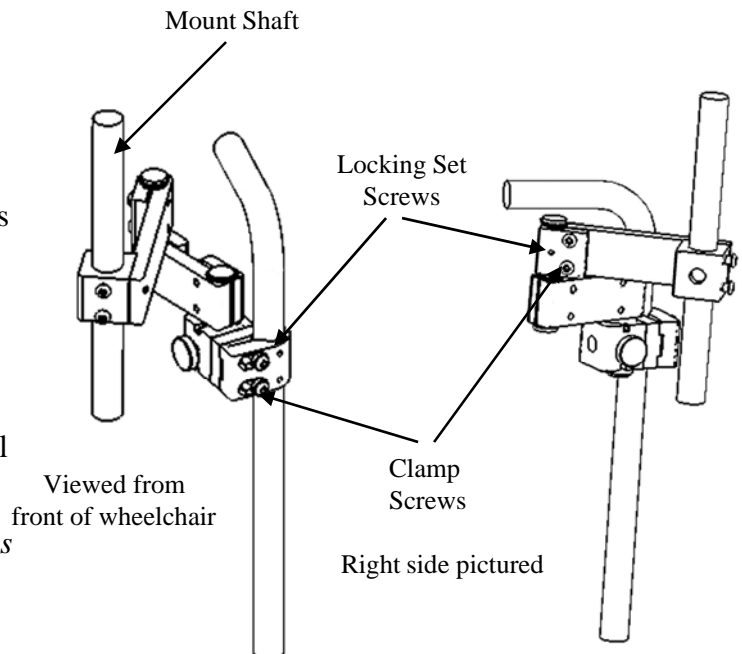
1: Align the Mount Shaft with patient's back by adjusting the Relocater arms.

2: Attach the Mobile Arm Support mount (bracket) to the Mount Shaft and align the top bearing of the mount with the mid humeral location of the patient's arm.

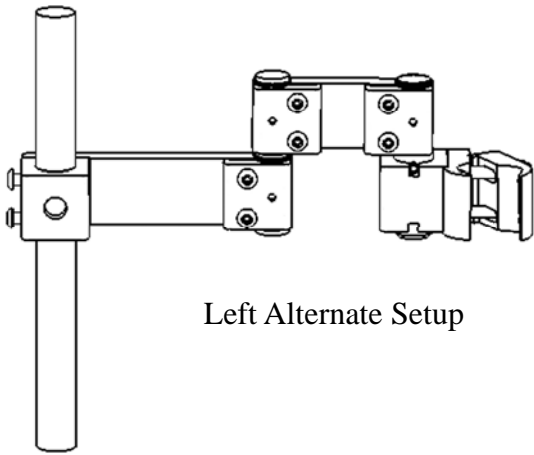
3: When optimum position is acquired tighten all **eight** Clamp Screws using Large Hex Wrench.

4: When final mount (bracket) position is obtained then tighten all **five** Locking Set Screws using Small Hex Wrench to secure relocators position.

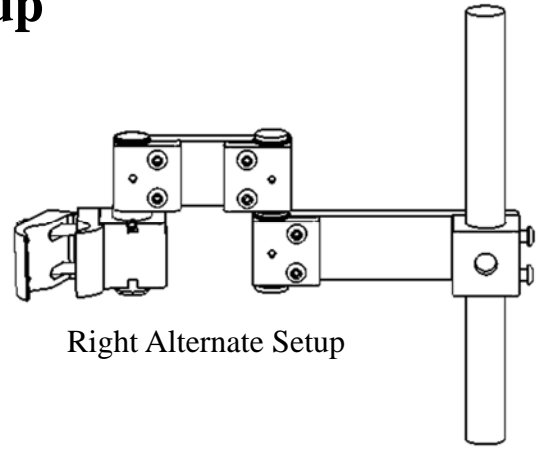
**Note:** It is recommended that the Locking Set Screws only be used once, when all adjustments are completed. Tightening and readjusting these screws can cause damage to the Relocater Arm Pin.



# Alternate Setup



Left Alternate Setup

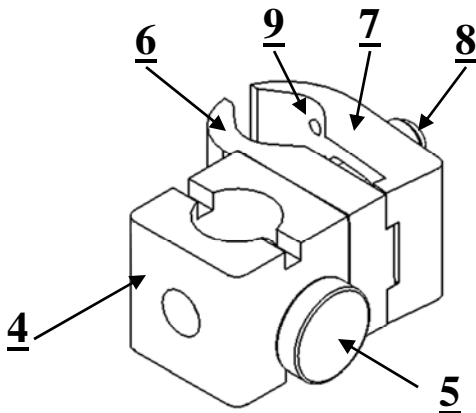
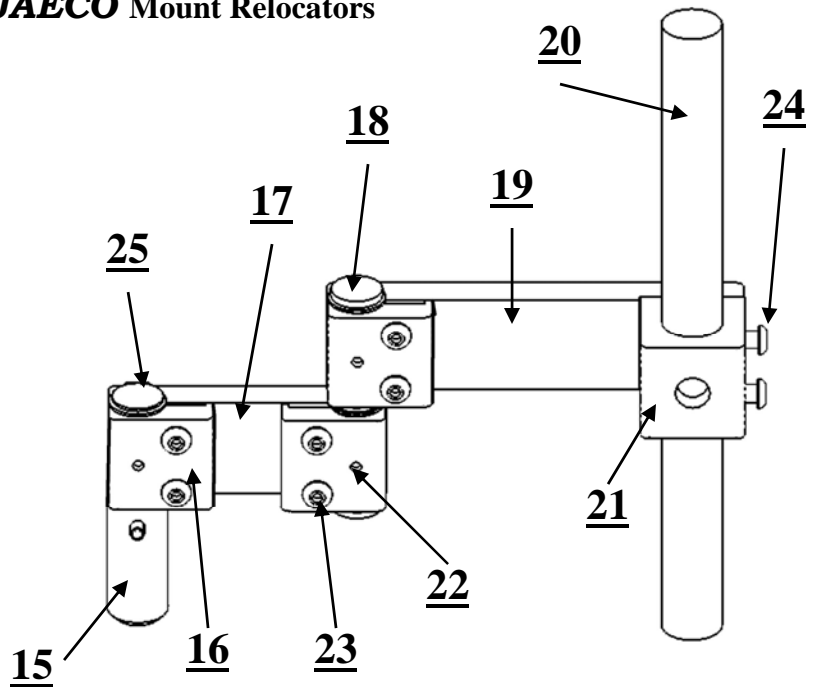


Right Alternate Setup

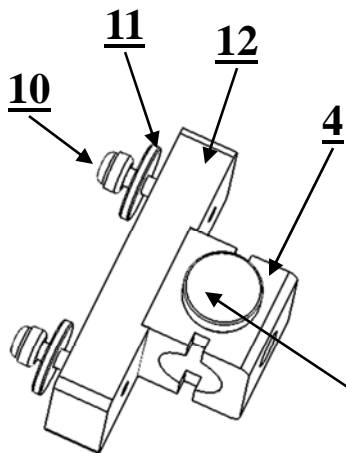
## Parts Description

For All **JAECO** Mount Relocators

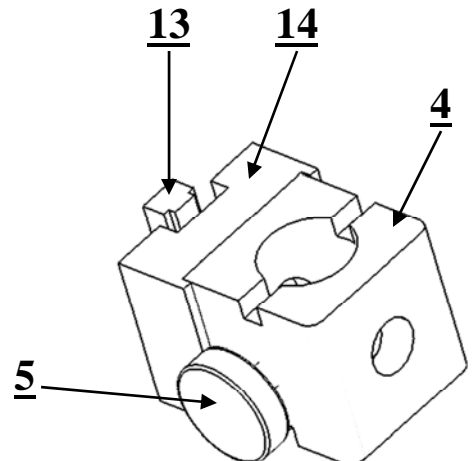
No.	Qty.	Part No.	Description
1	1	MRB-10	MR-10 Mount Base
2	1	MRB-7	MR-7 Mount Base
3	1	MRB-8	MR-8 Mount Base
4	1	MR1SMB	Slotted Mount Block
5	1	K1420x916x1BP	Locking Knob
6	1	MR1BCA	Base Clamp
7	1	MR1FC	Floating Clamp
8	2	BHSCS1428x112A	Clamp Screw
9	2	SSSCNP1032x316A	Locking Set Screw
10	1	BHSCS1420x1A	Mount Base Screw
11	2	MR7W1	Aluminum Washer
12	1	MR7MBA	MR-7 Mount Base Adapter
13	1	MR8TNUT	MR-8 T-Nut w/ Screws
14	1	MR8MBA	MR-8 Mount Base Adapter
15	1	MR1AMS	Arm Mount Shaft
16	1	MR1AC	Arm Clamp
17	1	MR1ARM4	4" Arm
18	1	MR1JP	Joint Pin
19	1	MR1ARM6	6" Arm
20	1	MR1MS10	Mount Shaft
21	1	MR1MSB	Mount Shaft Base
22	3	SSSCNP1032x316A	Locking Set Screw
23	6	BHSCS1420x1A	Clamp Screw
24	2	BHSCS1420x12A	Mount Shaft Screw
25	5	RRE78A	External Retaining Ring



1: MR-10 Mount Base



2: MR-7 Mount Base



3: MR-8 Mount Base