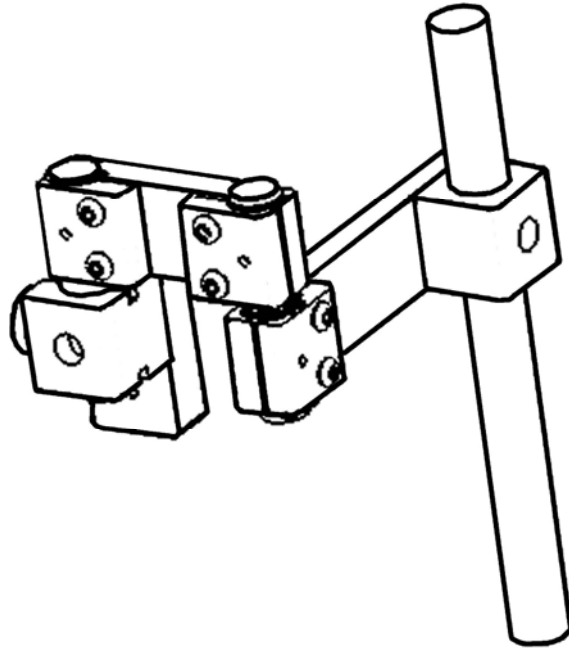


# **JAEKO**

## **MR-7 : Mount Relocator**



*For Mounting to Wheelchairs with  
Molded Back Rests  
when back posts are restricted or not present*

**JAEKO**  
*Orthopedic*

**214 Drexel  
Hot Springs, AR 71901  
Ph: 501-623-5944  
Fax: 501-623-0159**

Email

[info@jaeco-orthopedic.com](mailto:info@jaeco-orthopedic.com)

Internet

[www.jaeco-orthopedic.com](http://www.jaeco-orthopedic.com)

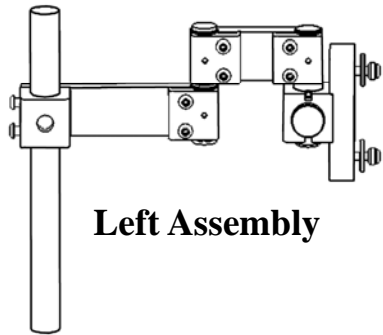
# Features

- The unique design of this **JAECO** Mount Relocator is that it can attach to plastic or metal wheelchair backrests when back posts are restricted or not present.
- The 10 inch long mounting shaft and articulated arms of the Mount Relocator allow for optimum Mobile Arm Support mount position.
- The Mount Base requires only 3 inches to mount to the wheelchair backrest.
- The solid anodized black aluminum construction minimizes deflection.
- This Mount Relocator, even with Mobile Arm Support attached, can be removed and replaced quickly by the turn of a knob, without losing it's preset adjustments.

---

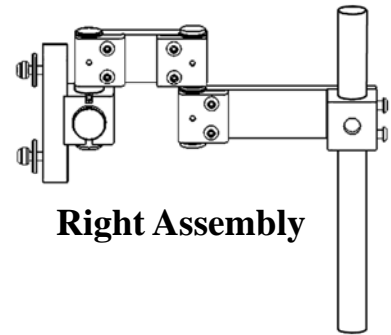
## Components

Items included in package:



**Left Assembly**

- 1: **JAECO** Mount Relocator
- 2: Instructions
- 3: 5/32 (large) & 3/32 (small) Hex Wrench
- 4: Letter H drill bit
- 5: Drill Template



**Right Assembly**

---

## Preparation

1: If the relocator Mount Base is attached to the Mount Relocator, loosen Locking Knob and remove the Mount Base.

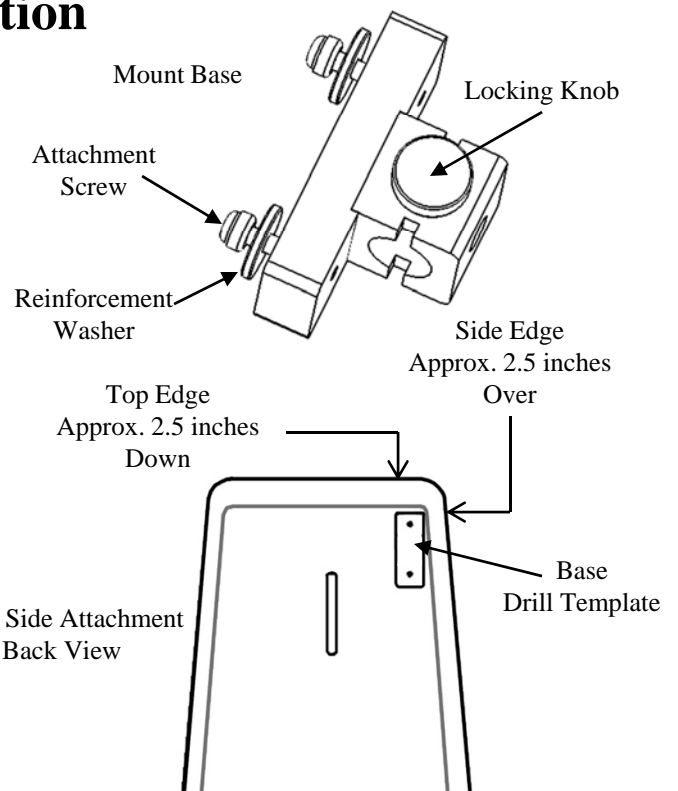
2: Remove the two Attachment Screws and Reinforcement Washer from the Mount Base

2: Remove backrest cushion .

3: Place template on back of backrest 1.5 to 2 inches down from inner edge and over 2.5 inches from outside edge and mark template holes.

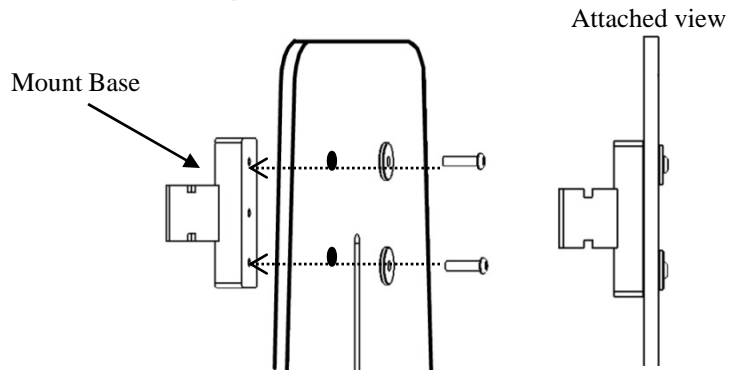
**Note:** Place Base Drill Template on flattest area of backrest

4: Use drill bit supplied and drill the two marked holes.



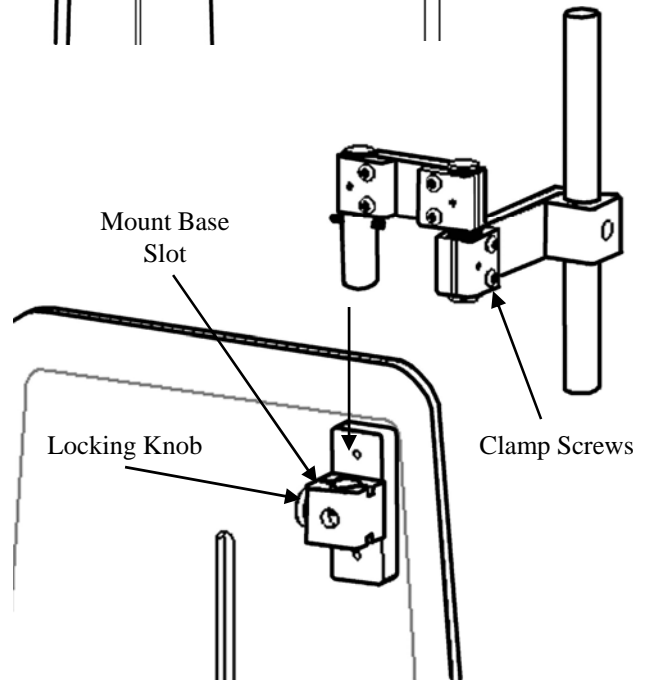
# Mounting

1: Insert Screw and washer through hole on cushion side of backrest and use Large Hex Wrench to tighten into Mount Base.



2: Loosen, **Do Not Remove**, all six Clamp Screws on relocater arm. Insert the Mount Relocator into the Mount Base and insure the Pin in the Arm Shaft inserts into the Slot on the top of the Mount Base then tighten Locking Knob.

Right side attachment



# Final Setup

1: Align the Mount Shaft with patient's back by adjusting the Relocator arms.

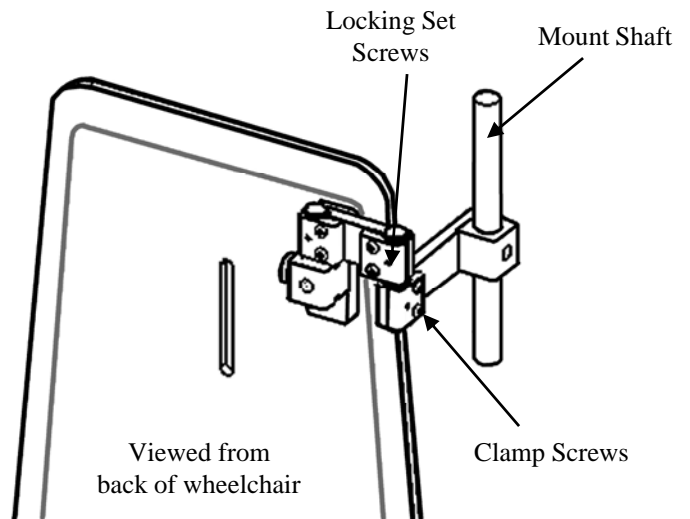
**Note:** Alternate arm setup will increase Mount shaft height if needed. See Alternate Setup Page 3.

2: Attach the Mobile Arm Support mount (bracket) to the Mount Shaft and align the top bearing of the mount with the mid humeral location of the patient's arm.

3: When optimum position is acquired tighten all six Clamp Screws using Large Hex Wrench.

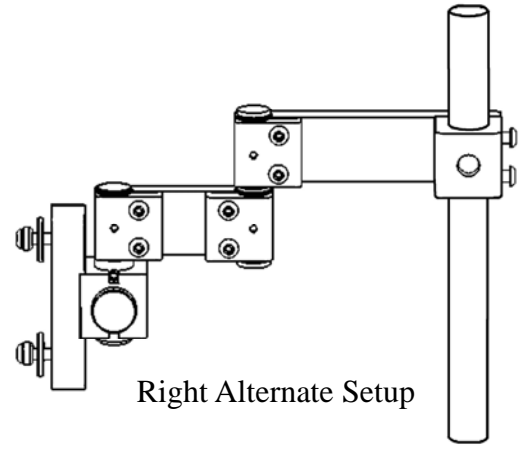
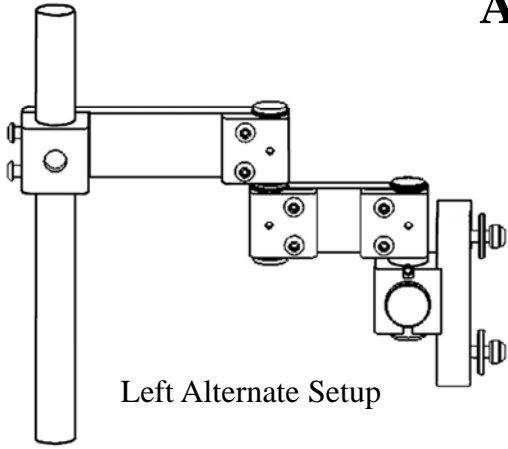
4: When final mount (bracket) position is obtained then tighten all **three** Locking Set Screws using Small Hex Wrench to secure relocators position.

**Note:** It is recommended that the Locking Set Screws only be used once, when all adjustments are completed. Tightening and readjusting these screws can cause damage to the Relocator Arm Pin.



Right side pictured

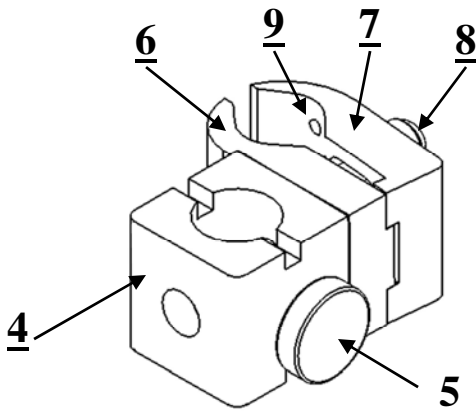
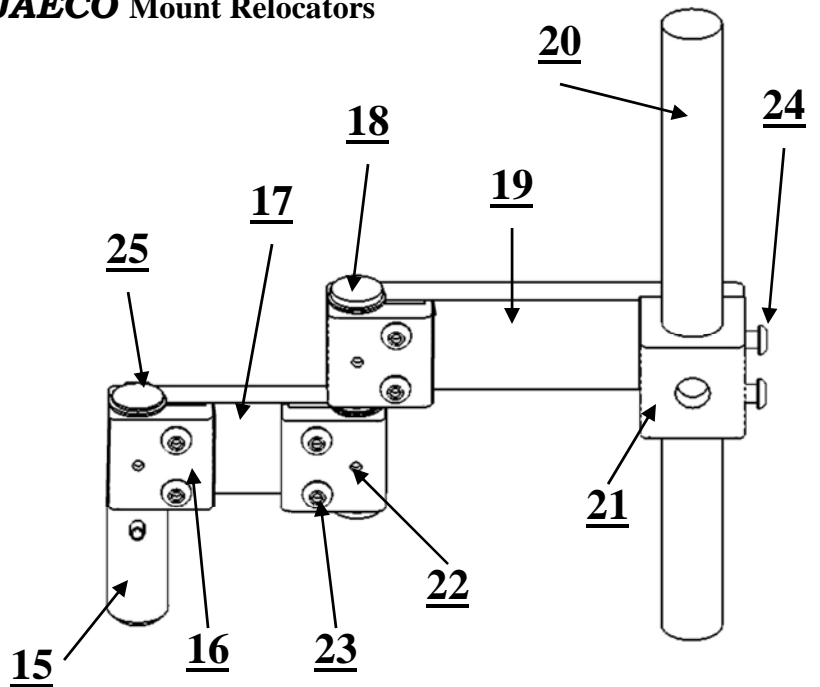
# Alternate Setup



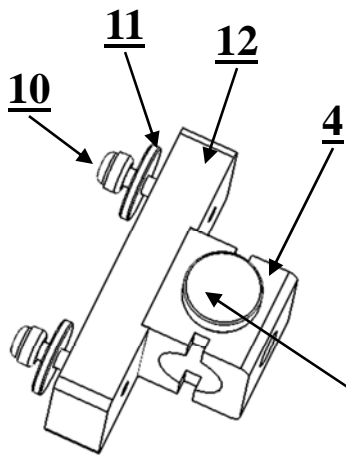
## Parts Description

For All **JAECO** Mount Relocators

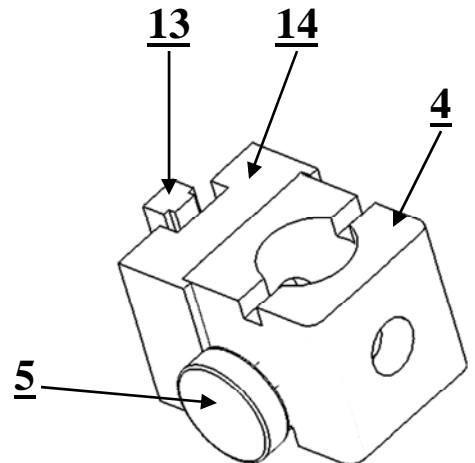
No.	Qty.	Part No.	Description
1	1	MRB-10	MR-10 Mount Base
2	1	MRB-7	MR-7 Mount Base
3	1	MRB-8	MR-8 Mount Base
4	1	MR1SMB	Slotted Mount Block
5	1	K1420x916x1BP	Locking Knob
6	1	MR1BCA	Base Clamp
7	1	MR1FC	Floating Clamp
8	2	BHSCS1428x112A	Clamp Screw
9	2	SSSCNP1032x316A	Locking Set Screw
10	1	BHSCS1420x1A	Mount Base Screw
11	2	MR7W1	Aluminum Washer
12	1	MR7MBA	MR-7 Mount Base Adapter
13	1	MR8TNUT	MR-8 T-Nut w/ Screws
14	1	MR8MBA	MR-8 Mount Base Adapter
15	1	MR1AMS	Arm Mount Shaft
16	1	MR1AC	Arm Clamp
17	1	MR1ARM4	4" Arm
18	1	MR1JP	Joint Pin
19	1	MR1ARM6	6" Arm
20	1	MR1MS10	Mount Shaft
21	1	MR1MSB	Mount Shaft Base
22	3	SSSCNP1032x316A	Locking Set Screw
23	6	BHSCS1420x1A	Clamp Screw
24	2	BHSCS1420x12A	Mount Shaft Screw
25	5	RRE78A	External Retaining Ring



**1: MR-10 Mount Base**



**2: MR-7 Mount Base**



**3: MR-8 Mount Base**