

***JAECO / Rancho
Adjustable Mobile Arm Support Mount***



Mounting Instructions

Introduction

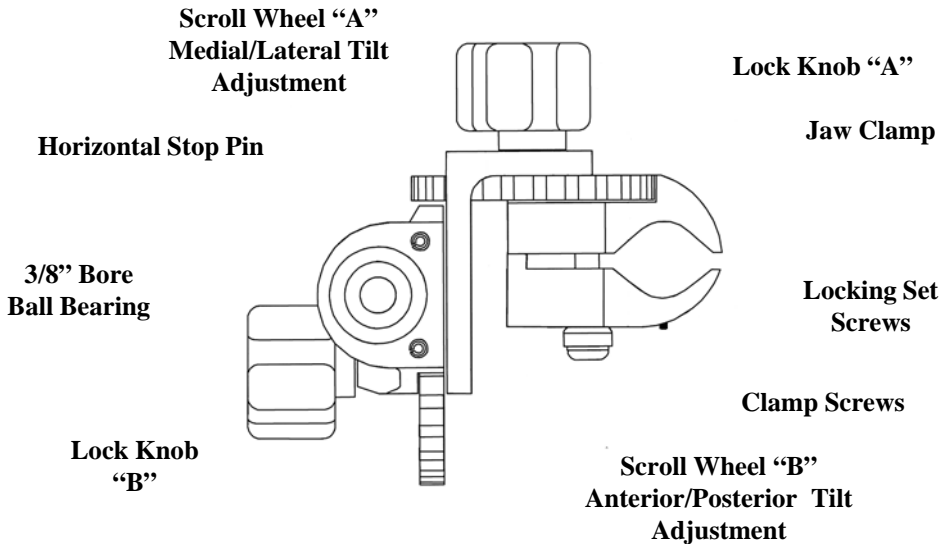
The new JAECO/Rancho mount has been designed to address the requests of therapists and DME providers for a system that was easier to set up and more adaptable to the variety of wheeled mobility systems in use today. This was accomplished with the use of an “open jaw” clamp that can accommodate tubing as small as 3/4 inch and as large as 1 inch, even over fabric covers. (Some seating systems will require an adaptor or relocater for optimum positioning of the mount... see attached information). The unique scroll wheels allow quick and simple adjustments without tools.

The mount is universal left and right.

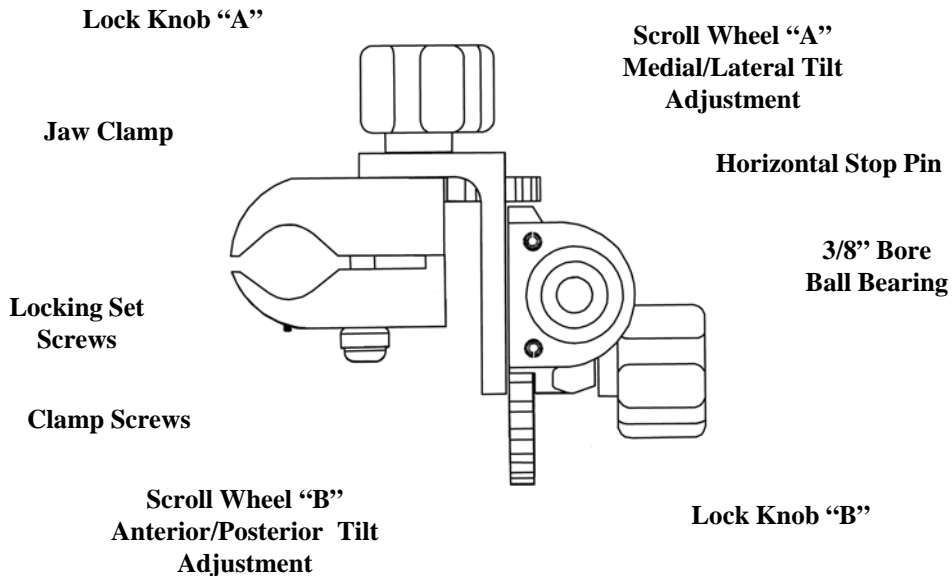
This mount can be used with all of the current mobile arm supports.

Top View

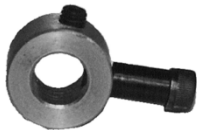
Mounted on Right Side of Wheelchair



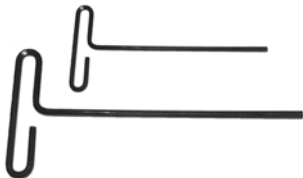
Top View Mounted on Left Side of Wheelchair



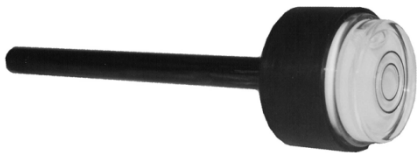
Mounting Items



The **Horizontal Stop** is supplied for the use with current mobile arm supports. It should be attached to the mounting shaft of the Proximal Arm or Elevating Proximal Arm.

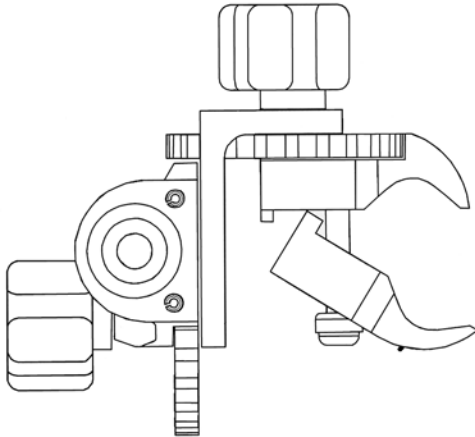


There are two **T-Wrenches** supplied. The larger (5/32 inch) is used for tightening the jaw clamp screws. The smaller (3/32 inch) will be used for the locking set screws and the horizontal stop.



The **Bubble Level** (Sold Separately) is used to neutrally balance all JAECO mounts (brackets) before attaching mobile arm supports.

Preparing Mount



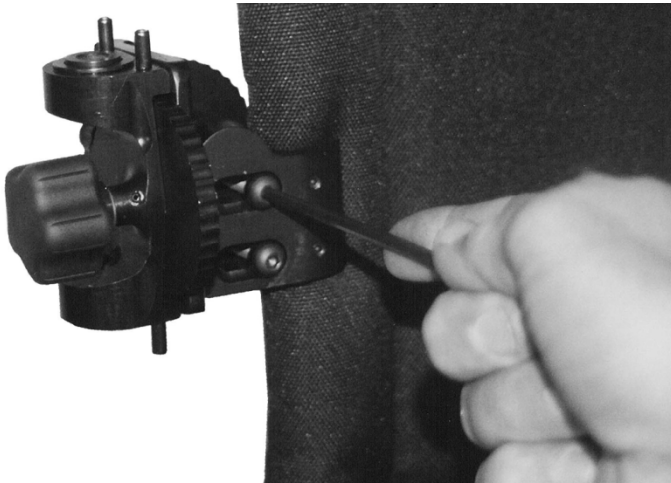
1. Loosen clamp screws with large T-Wrench (**Do not remove screws!**) and open clamps to their widest position by pushing the moveable jaw forward and pulling it outward as shown in picture.

Attaching Mount



2. In this open position, apply mount to wheelchair upright (back post) or to a Mount Relocator, if required. Position mount so that the top of the mount is at patient's mid humeral region. Adjustments in position may be necessary for optimal function.

Securing Mount



3. Tighten clamp screws with Scroll Wheel “B” in line with the arm rest of the wheelchair.

Do Not Tighten Locking Set Screws At This Time.

Adjustments may be necessary to achieve optimal functional use of the mobile arm support.

Leveling Mount



4. Insert **Bubble Level** (sold separately) through the ball bearings of the mount. Adjust the mount so that the bubble level is neutrally balanced (bubble is in or close to center ring of level).

Adjusting Medial Tilt



Loosen lock knob
“A” and rotate scroll
wheel “A” to adjust
medial tilt (reaching
across body).

Adjusting Lateral Tilt



Loosen lock knob
“A” and rotate
scroll wheel “A” to
adjust lateral tilt
(reaching toward
side of body).

Adjusting Anterior Tilt



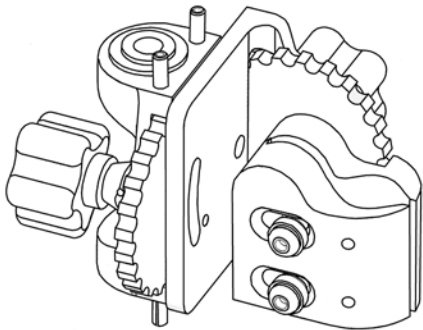
Loosen lock knob
“B” and rotate scroll
wheel “B” to adjust
anterior tilt
(reaching forward).

Adjusting Posterior Tilt



Loosen lock knob
“B” and rotate scroll
wheel “B” to adjust
posterior tilt
(reaching backward).

Locking the Mount in Place



When optimal functional use of the mobile arm support is achieved, tighten the **Locking Set Screws** using the small T-Wrench. This will lock the mount in its position on the wheelchair upright (back post).

**Locking Set
Screws**

Additional Information

The JAECO / Rancho mount can be placed on either the right or left side of the wheelchair upright. It will clamp around $\frac{3}{4}$ to 1 inch tubing. Depending on which end of the mount is up, lock knob “A” can face either the front or back of the wheelchair.

Therapists may prefer lock knob “A” face the front of the wheelchair for easier adjustments. However, if the patient’s arm rests against the knob while sitting in the wheelchair without the mobile arm support invert the mount so the knob faces to the rear.

The development of this mount design was supported by the National Institute for Disability and Rehabilitation Research. NIDRR Grant #H133E003001 at Rancho Los Amigos National Rehabilitation Center. Rehabilitation Engineering Research Center

JAE**CO** **Orthopedic**

214 Drexel

Hot Springs, AR 71901

Phone: 501-623-5944

Fax: 501-623-0159

Email: info@jaecoorthopedic.com

www.JaecoOrthopedic.com