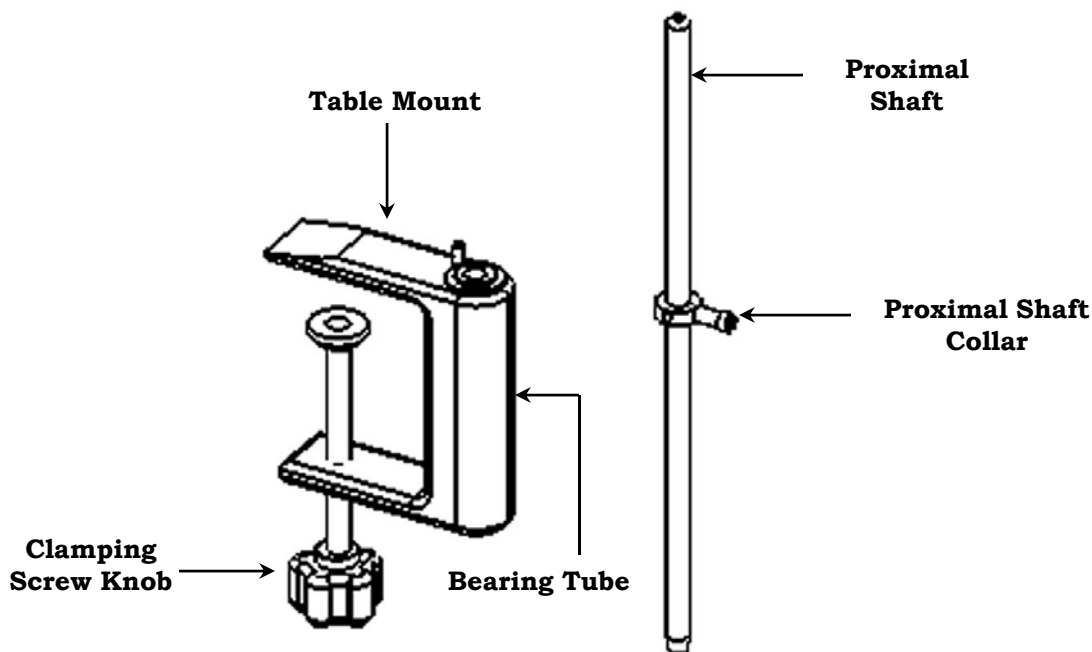


# JAECO Table Mount Setup

## Parts Description



## Mount Installation:

1. Turn the Clamping Screw Knob counter clockwise to open the “jaw” of the mount.
2. Slide the mount over the edge of the table, with the Clamp Screw Knob facing down, until the mounts Bearing Tube touches the edge of the table. Turn clamping Screw clockwise until the mount is firmly attached to the table.
3. Insert the long Proximal Shaft (supplied with the Table Mount) through the bearing tube and insure the proximal shaft protrudes through the lower bearing.
4. Refer to section 3 for MultiLink Arm setup or section 4 for MultiLink with Elevation Assist setup.

**Note:** *The Proximal Shaft Collar will be used for height and lateral stop adjustment.*

*When Table Mount is used with JAECO Original Table Mount MAS the long Proximal Shaft will not be used, but the Proximal Shaft Collar may be needed.*